

FEATURES

- MG, MNFG or MGST trim options fit metric sized ceiling systems, nominal 600 x 600 mm tee-bar centers.
- Black reveal provides floating door appearance, conceals optional air supply slots.
- Companion fixtures with overlapping ceiling trims available in imperial sized fixtures with standard swing-gate hangers.
- Standard door is mitered aluminum. Completely frames shielding. Corners screwed together for rigidity, easy lens maintenance.
- Integral T-bar safety clips hold T-bar securely, no fasteners required to install.
- Urethane foam gasket eliminates light leaks between door frame and housing.
- Optional heat removal dampers (H, RH and D models) and air pattern control blades (A and D models) allow air flow control.
- Guaranteed for one year against mechanical defects in manufacture.

SPECIFICATIONS

BALLAST — Thermally protected, resetting, Class P, HPF, non-PCB, UL listed, CSA certified ballast is standard. Energy-saving and electronic ballasts are sound rated A. Standard combinations are CBM approved and conform to UL 935.

WIRING & ELECTRICAL — Fixture conforms to UL 1570 and is suitable for damp locations. AWM, TFN or THHN wire used throughout, rated for required temperatures.

MATERIALS — Housing formed from cold-rolled steel. Acrylic shielding material 100% UV stabilized. No asbestos is used in this product.

FINISH — Five-stage iron-phosphate pretreatment ensures superior paint adhesion and rust resistance. Painted parts finished with high-gloss, baked white enamel.

LISTING — UL listed and labeled. CSA certified (see options). NOM labeled (see options).

Specifications subject to change without notice.

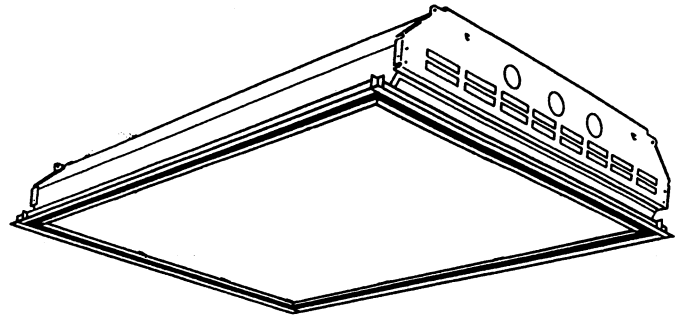
Type	Catalog number
.....
.....
.....

Specification Premium Air-Handling Troffer

SP Air 600x600

Metric

2, 3 or 4 Straight Lamps



PHOTOMETRICS

Full photometric data available upon request.

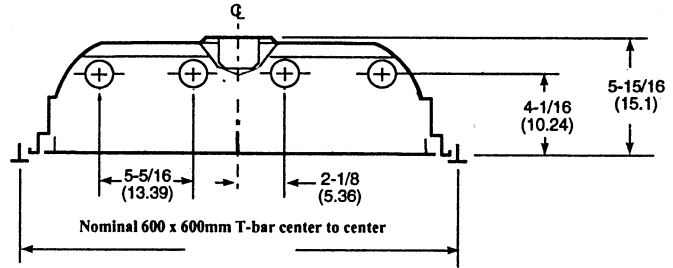
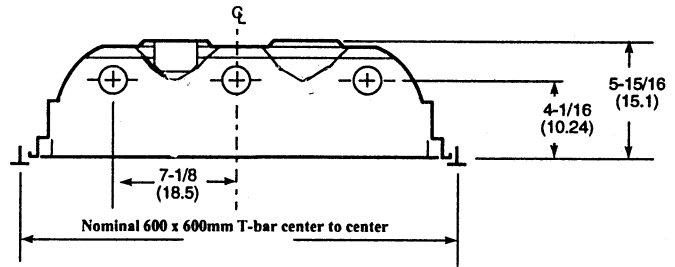
SP AIR 600 x 600 Metric, Straight Lamps

MOUNTING DATA

Fixtures not suitable for end-to-end row mounting. Over-all fixture length is 609.6 mm. Not all air functions available in all trim types.

Ceiling Type	Appropriate Trim Type
Exposed grid tee (25 mm)	MG
Narrow face (14 mm) grid tee	MNFG
Concealed grid tee	MG, MST
Screw slot (14 mm)	MST

DIMENSIONS



ORDERING INFORMATION

Choose the boldface catalog nomenclature that best suits your needs and write it in the appropriate blank.

Example: **2SP MG B 3 17 FW A12125 120 GEB**

Series	Number of lamps	Door frame ³	Voltage	Options
2SP Specification troffer, 2' wide	2, 3, or 4 Not included	FN Flush aluminum, natural FN Flush aluminum, natural FM Flush aluminum, matte black FW Flush aluminum, white RN Regressed aluminum, natural RM Regressed aluminum, matte black RW Regressed aluminum, white	120, 277, 347 Others available	GEB Electronic ballasts, <20% THD. GEB10 Electronic ballast <10% THD. EL Emergency battery pack (nominal 300 lumens). GLR Internal fast-blow fuse. GMF Internal slow-blow fuse. PWS1836 6' prewire, 3/8" dia., 18-gauge, 3 wires. SLL Spring-loaded door latches. LP Lamped, specify lamp type and color. PAF Painted after fabrication (white enamel). SSR Specular silver interior finish (95% reflective). CSA CSA-labeled for US shipment to Canada. NOM NOM-labeled for shipment to Mexico.
Trim type	Lamp type	Diffuser type		
MG Metric grid trim MNFG Metric narrow face grid trim MGST Metric screw slot trim ²	17 17W T8 (24") 20 20W T12 (24")	A12 #12 pattern acrylic A12125 #12 pattern acrylic, .125" thick A19 #19 pattern acrylic, .156" thick A15 #15 pattern acrylic, .2" thick AC Dropped dish diffuser, matte white acrylic PC1S 1/2" x 1/2" x 1/2" plastic cube louver, silver w/ flange PC2S 1-1/2" x 1-1/2" x 1" plastic cube louver, silver w/ flange PC3S 3/4" x 3/4" x 1/2" plastic cube louver, silver w/ flange		
Air function				
R Air return (slots in side trim) H Heat removal (through lamp cavity, dampers available) RH Combination R and H B Static (no air function, matching appearance)				

Notes:

- 1 Addition of some fixture options will increase fixture depth to 6-11/16".
- 2 Increases fixture depth.
- 3 2" regress available with deep regressed frame options (DRN, DRM, DRW). Increases fixture depth.

SP Air 600x600 MG

©1994 Lithonia Lighting 11/94
2SPAIR4.PM5

LITHONIA LIGHTING
COMMERCIAL & INDUSTRIAL FLUORESCENT LIGHTING
P.O. BOX A, CONYERS, GEORGIA 30207. TELEPHONE 404 922-9000, FAX 404 922-1841
IN CANADA: 1100 50TH AVE., LACHINE, QUEBEC H8T 2V3. DIVISION OF N.S.I. HOLDINGS, INC.