

FEATURES

- MG trim option fits metric sized ceiling systems, nominal 600 x 600 mm tee-bar centers.
- Full family of specification grade static luminaires offers choice of sizes, ceiling trims, door frames and other options to provide general illumination for every recessed application.
- Standard door is fully gasketed aluminum with mitered corners — completely frames shielding. Corners screwed together for rigidity, easy lens replacement.
- Urethane foam gasket eliminates light leaks between door frame and housing.
- Companion fixtures with overlapping flanged trim available in imperial sized fixtures with standard swing-gate hangers.
- Optional spring-loaded latches
- Guaranteed for one year against mechanical defects in manufacture.

SPECIFICATIONS

BALLAST — Thermally protected, resetting, Class P, HPF, non-PCB, UL listed, CSA-certified ballast is standard. Energy-saving and electronic ballasts are sound rated A. Standard combinations are CBM approved and conform to UL 935.

WIRING & ELECTRICAL — Fixture conforms to UL 1570 and is suitable for damp locations. AWM, TFN or THHN wire used throughout, rated for required temperatures.

MATERIALS — Housing formed from cold-rolled steel. Acrylic shielding material 100% UV stabilized. No asbestos is used in this product.

FINISH — Five-stage iron-phosphate pretreatment ensures superior paint adhesion and rust resistance. Painted parts finished with high-gloss, baked white enamel.

LISTING — UL listed and labeled. CSA certified (see options). NOM labeled (see options).

Specifications subject to change without notice.

Type

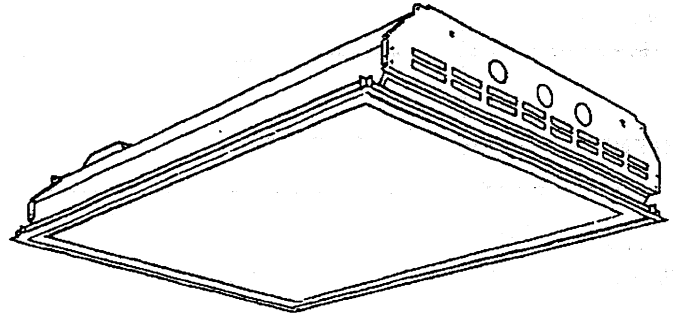
Catalog number

.....
.....
.....

Specification Premium Static Troffer

SP 600x600

Metric
Compact Fluorescent
and Narrow U-lamps
2 or 3 lamps



PHOTOMETRICS

Full photometric data available upon request.

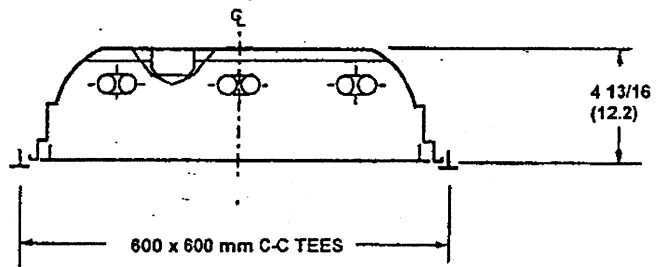
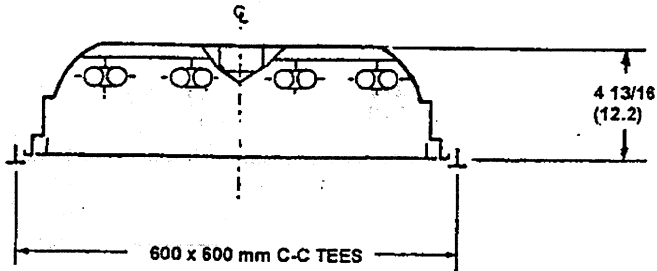
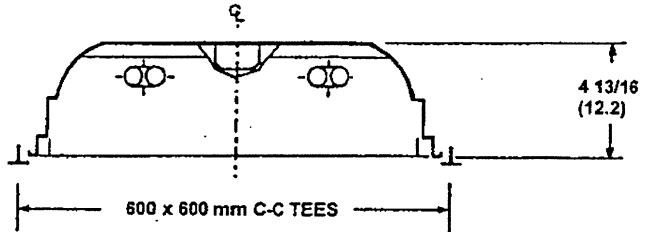
SP 600 x 600 Metric Compact Fluorescent and U-lamps

MOUNTING DATA

Fixtures not suitable for end-to-end row mounting. Over-all fixture length is 609.6 mm.

DIMENSIONS

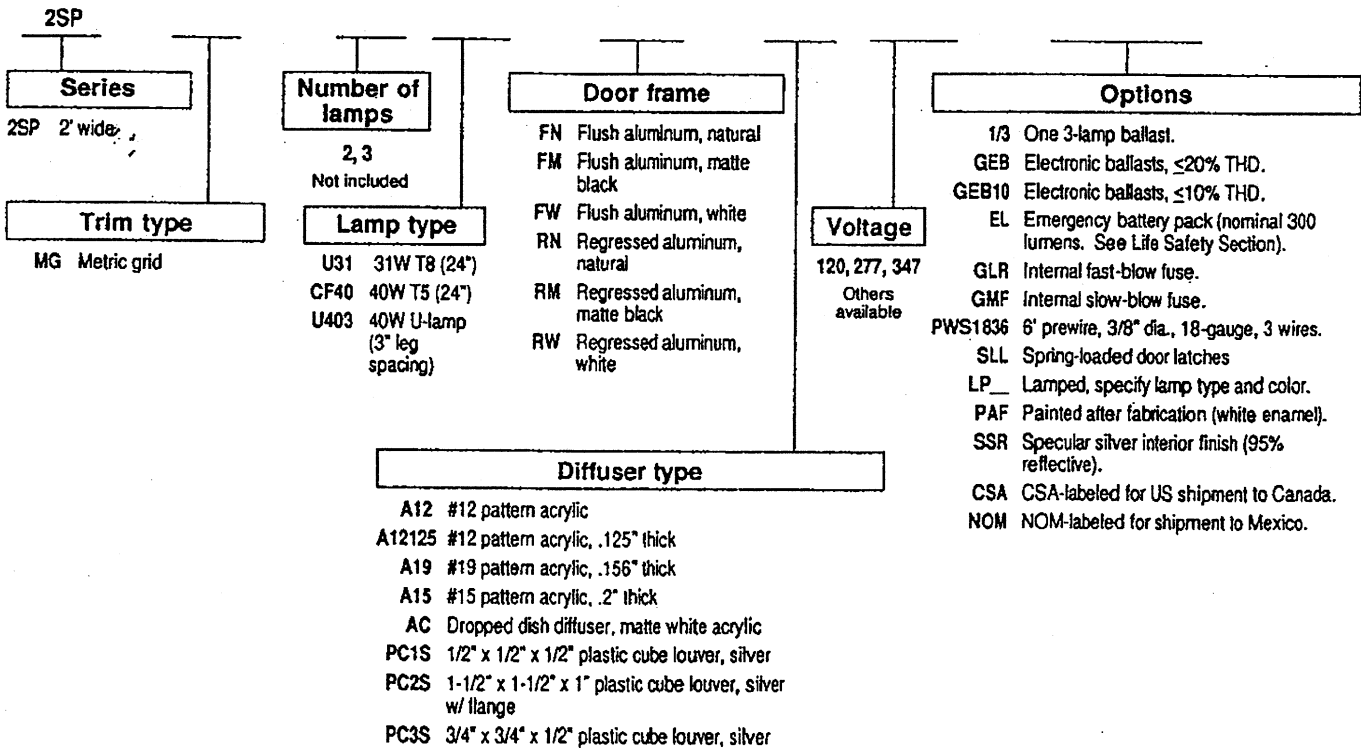
Inches (centimeters). Subject to change without notice.



ORDERING INFORMATION

Choose the boldface catalog nomenclature that best suits your needs and write it in the appropriate blank.

Example: 2SP MG 3 U31 FW A12 120 GEB



SP 600x600 CF MG

LG 6-96
©1995 Lithonia Lighting 5/95
SP1X4.PM5

REV
11-99

LITHONIA LIGHTING
COMMERCIAL & INDUSTRIAL FLUORESCENT LIGHTING
P.O. BOX 4 CONYERS, GEORGIA 30207 TELEPHONE (404) 922-9999 FAX (404) 922-1841