



## FEATURES & SPECIFICATIONS

### INTENDED USE

High performance deep-cell parabolic luminaires for superior light control, visual comfort and light cutoff in open area applications.

### ATTRIBUTES

Choice of low iridescent diffuse or specular louver finishes. Also available with Achroma™ non-iridescent louver finish.

Models available to meet IES RP-1 minimum luminance criteria for office lighting systems in VDT applications. Optimax products are available to meet preferred criteria.

### CONSTRUCTION

Black reveal provides floating louver appearance, conceals optional air-supply slots. Optional heat-removal dampers and air-pattern control blades allow airflow control.

Housing formed from cold-rolled steel. Louvers formed from anodized aluminum. No asbestos is used in this product.

### FINISH

Five-stage iron-phosphate pretreatment ensures superior paint adhesion and rust resistance. Painted parts finished with high-gloss, baked white enamel.

### ELECTRICAL SYSTEM

Thermally-protected, resetting, Class P, HPF, non-PCB, UL Listed, CSA certified ballast is standard. Energy saving and electronic ballasts are sound rated A.

Luminaire is suitable for damp locations. AWM, TFN or THHN wire used throughout, rated for required temperatures.

### LISTING

UL Listed (standard). CSA Certified or NOM Certified (see Options).

### WARRANTY

Guaranteed for one year against mechanical defects in manufacture.

Specifications subject to change without notice.

Catalog Number	
Notes	Type

## PARAMAX® Parabolic Troffer

# PM3 600 x 1200

METRIC

76mm Deep Louver  
Straight Lamps  
3 Lamps



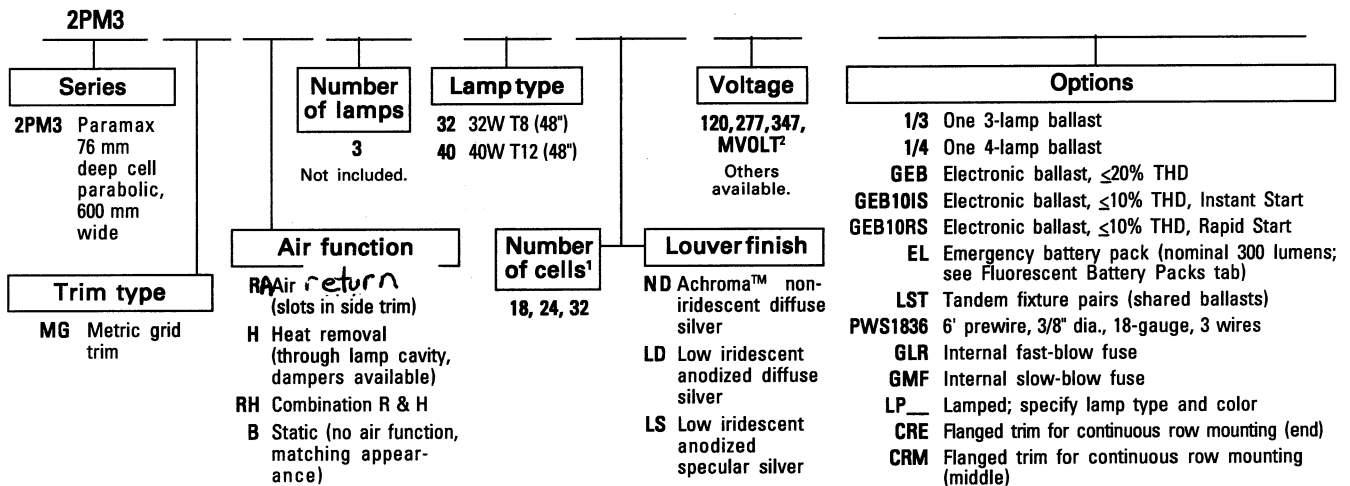
### Energy (Calculated in accordance with NEMA standard LE-5)

LER.FP	ANNUAL ENERGY COST*	LAMP DESCRIPTION	LAMP LUMENS	BALLAST FACTOR	WATTS
63 (LD louver)	\$3.81	(2) 32W T8	2850	.88	62
62 (ND louver)	\$3.87	(3) 32W T8	2850	.88	86
64 (LD louver)	\$3.75	(3) 32W T8	2850	.88	86
64 (LD louver 2R)	\$3.75	(3) 32W T8	2850	.88	86
58 (LD louver)	\$4.14	(4) 32W T8	2850	.88	111
57 (ND louver)	\$4.21	(4) 32W T8	2850	.88	111

\* Comparative yearly lighting energy cost per 1000 lumens

## ORDERING INFORMATION

Example: 2PM3 MG B 3 32 24ND 120 GEB



### NOTES:

- Where applicable, number of rows is divisible by number of lamps unless specified otherwise.
- MVOLT available with GEB10IS only.
- Not available with 32 cell fixture.

Fluorescent

Sheet #: PM3-600 x 1200 MG

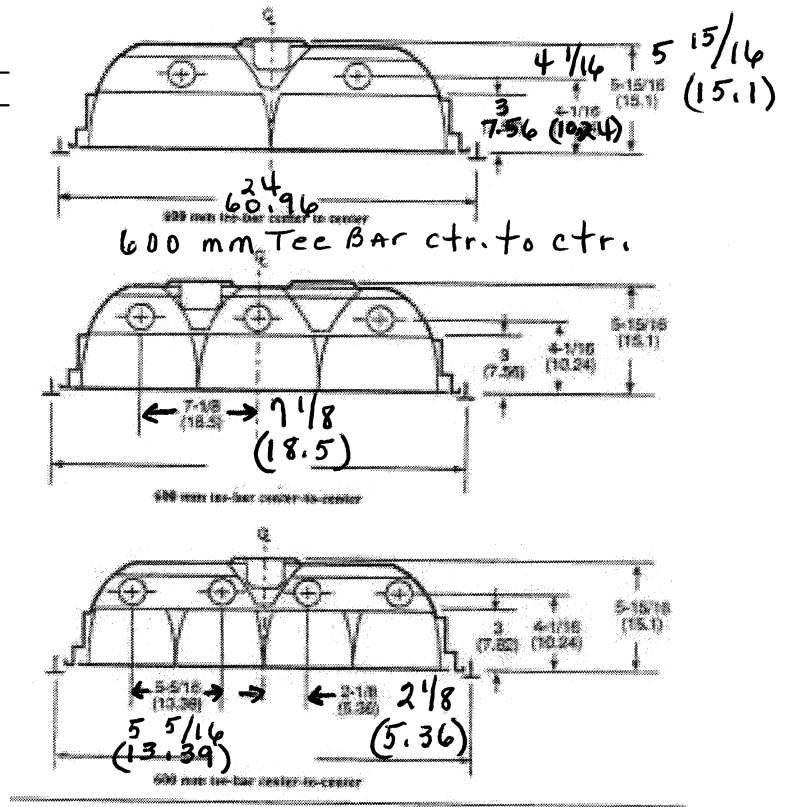
# PM3 600 x 1200 76mm Louver Family

## MOUNTING DATA

Fixtures not suitable for end to end row mounting. Over-all fixture length is 1219.2 mm

Ceiling Type	Appropriate Trim Type
Exposed grid tee (25 mm)	MG

## DIMENSIONS



## PHOTOMETRICS

Calculated using the zonal cavity method in accordance with IESNA LM41 procedures. Floor reflectances are 20%. Lamp configurations shown are typical. Full photometric data on these and other configurations available upon request.

### 2PM3 G B 2 32 12LD

Report LTL 4757 – Lumens per lamp = 2900

S/MH (along) 1.2 (across) 1.8

Coefficient of Utilization

Ceiling Wall	80%			70%			50%		
	70%	50%	30%	70%	50%	30%	50%	30%	10%
0	93	93	93	91	91	91	87	87	87
1	87	84	81	85	82	80	79	77	75
2	81	75	71	79	74	70	71	68	65
3	74	68	62	73	66	62	64	60	57
4	69	60	54	67	59	54	58	53	49
5	63	54	47	61	53	47	51	46	42
6	58	48	41	56	47	41	46	40	36
7	53	43	36	51	42	36	41	35	31
8	48	38	31	47	37	31	36	31	27
9	44	34	27	43	33	27	32	27	23
10	41	30	24	40	30	24	29	24	20

### 2PM3332 18LD 2R

Report BAL 8211 – Lumens per lamp = 2850

S/MH (along) 1.2 (across) 1.6

Coefficient of Utilization

Ceiling Wall	80%			70%			50%		
	70%	50%	30%	70%	50%	30%	50%	30%	10%
0	87	87	87	85	85	85	81	81	81
1	82	79	77	80	78	75	75	73	71
2	76	72	68	75	71	67	68	65	63
3	71	65	60	69	64	60	62	58	55
4	66	59	54	64	58	53	56	52	49
5	61	53	47	59	52	47	51	46	43
6	56	48	42	55	47	42	46	41	38
7	52	43	37	51	42	37	41	36	33
8	48	38	33	46	38	32	37	32	29
9	44	34	29	43	34	28	33	28	25
10	40	31	26	39	31	25	30	25	22

### 2PM3 G 4 32 32ND

Report LTL 6274 – Lumens per lamp = 2900

S/MH (along) 1.2 (across) 1.4

Coefficient of Utilization

Ceiling Wall	80%			70%			50%		
	70%	50%	30%	70%	50%	30%	50%	30%	10%
0	75	75	75	73	73	73	70	70	70
1	71	68	67	69	67	65	64	63	62
2	66	62	59	65	61	58	59	57	55
3	62	57	53	60	56	52	54	51	48
4	57	51	47	56	51	46	49	46	43
5	53	46	42	52	46	41	44	41	38
6	49	42	37	48	41	37	40	36	33
7	45	38	33	44	37	33	37	32	29
8	42	34	29	41	34	29	33	29	26
9	39	31	26	38	30	26	30	25	22
10	36	28	23	35	28	23	27	23	20

### Zonal Lumens Summary

Zone	Lumens	%Lamp	%Fixture
0-30	1295	22.3	28.6
0-40	2183	37.6	48.3
0-60	4183	72.1	92.5
0-90	4522	78.0	100.0
90-180	0	0	0
0-180	4522	78.0	100.0

### Zonal Lumens Summary

Zone	Lumens	%Lamp	%Fixture
0-30	2088	24.4	33.4
0-40	3607	42.2	57.8
0-60	5953	69.6	95.3
0-90	6243	73.0	100.0
90-180	0	0.0	0.0
0-180	6243	73.0	100.0

### Zonal Lumens Summary

Zone	Lumens	%Lamp	%Fixture
0-30	2693	23.2	36.9
0-40	4520	39.0	61.9
0-60	7088	61.1	97.1
0-90	7304	63.0	100.0
90-180	0	0	0
0-180	7304	63.0	100.0



An Acuity Brands Company

### Lithonia Lighting

Acuity Lighting Group, Inc.

Fluorescent

One Lithonia Way, Conyers, GA 30012

Phone: 800-858-7763 Fax: 770-929-8789

In Canada: 160 avenue Labrosse, Pointe-Claire, P.Q., H9R 1A1

www.lithonia.com