

.....

.....

.....

## FEATURES

- Full family of 76 mm deep cell parabolic luminaires to fit metric ceiling systems.
- Models available to meet IES RP-24 recommended luminance criteria for office lighting systems in VDT applications. Optimax products are available to meet preferred criteria.
- Choice of diffuse or specular louvers utilize the latest developments in louver finishing for minimized louver iridescence. Ideal for use with triphosphor lamps.
- Black reveal provides floating louver appearance, conceals optional air-supply slots.
- Companion fixtures with overlapping ceiling trims available in imperial sized fixtures with standard swing-gate hangers.
- Optional heat-removal dampers (H, RH and D models) and air-pattern control blades (A and D models) allow airflow control.
- T-hinges die-formed for maximum strength. Latches spring-loaded, concealed in reveal.
- Guaranteed for one year against mechanical defects in manufacture.

## SPECIFICATIONS

**BALLAST** — Thermally protected, resetting, Class P, HPF, non-PCB, UL listed, CSA-certified ballast is standard. Energy-saving and electronic ballasts are sound rated A. Standard combinations are CBM approved and conform to UL 935.

**WIRING & ELECTRICAL** — Fixture conforms to UL 1570 and is suitable for damp locations. AWM, TFN or THHN wire used throughout, rated for required temperatures.

**MATERIALS** — Housing formed from cold-rolled steel. Louvers formed from anodized aluminum. No asbestos is used in this product.

**FINISH** — Five-stage iron-phosphate pretreatment ensures superior paint adhesion and rust resistance. Painted parts finished with high-gloss, baked white enamel.

**LISTING** — UL listed and labeled. CSA certified (see options). NOM labeled (see options).

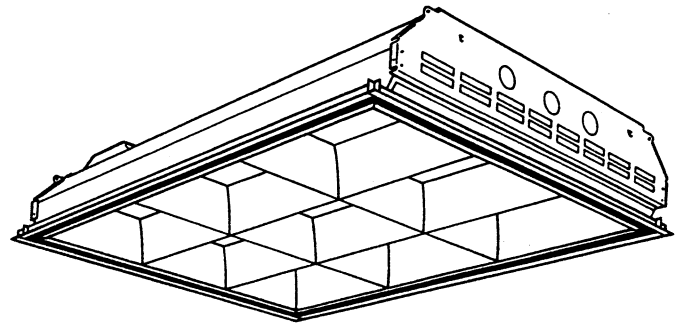
Specifications subject to change without notice.

# PARAMAX® Parabolic Troffer

# PM3 600x600

76 mm Deep  
Louver  
Metric

Compact Fluorescent and  
Narrow U-Lamps  
2, 3 or 4 lamps



## PHOTOMETRICS

Calculated using the zonal cavity method in accordance with IESNA LM41 procedures. Floor reflectances are 20%. Lamp configurations shown are typical. Full photometric data on these and other configurations available upon request.

### 2PM3 G B 2 U31 9LD

Report LTL 5567

S/MH (along) 1.2 (across) 1.4

Coefficient of Utilization

Ceiling Wall	80%			70%			50%		
	70%	50%	30%	70%	50%	30%	50%	30%	10%
1	65	63	61	64	62	60	60	58	57
2	61	57	54	59	56	53	54	51	49
3	56	51	47	55	50	46	48	45	42
4	52	45	41	50	45	40	43	39	37
5	47	40	35	46	40	35	38	34	31
10	31	23	18	30	23	18	22	18	15

### Zonal Lumens Summary

Zone	Lumens	%Lamp	%Fixture
0-30	946	16.9	28.7
0-40	1559	27.8	47.3
0-60	3013	53.8	91.3
0-90	3300	58.9	100.0
90-180	0	0	0
0-180	3300	58.9	100.0

### 2PM3 G B 2 CF40 9LD

Report LTL 5565

S/MH (along) 1.2 (across) 1.7

Coefficient of Utilization

Ceiling Wall	80%			70%			50%		
	70%	50%	30%	70%	50%	30%	50%	30%	10%
1	74	71	69	72	70	68	67	65	64
2	68	64	60	67	63	59	60	58	55
3	63	57	52	62	56	52	54	51	48
4	58	51	46	56	50	45	48	44	41
5	53	45	39	52	44	39	43	38	35
10	34	25	20	33	25	20	24	19	16

### Zonal Lumens Summary

Zone	Lumens	%Lamp	%Fixture
0-30	1114	17.7	26.6
0-40	1898	30.1	45.3
0-60	3847	61.1	91.9
0-90	4186	66.4	100.0
90-180	0	0	0
0-180	4186	66.4	100.0

### 2PM3 G B 3 CF40 16LD

Report LTL 3867

S/MH (along) 1.2 (across) 1.4

Coefficient of Utilization

Ceiling Wall	80%			70%			50%		
	70%	50%	30%	70%	50%	30%	50%	30%	10%
1	62	60	58	61	59	57	57	55	54
2	58	55	52	57	54	51	52	50	48
3	54	50	46	53	49	46	47	45	42
4	50	45	41	49	44	41	43	40	37
5	46	40	36	45	40	36	39	35	33
10	31	24	20	30	24	20	23	20	17

### Zonal Lumens Summary

Zone	Lumens	%Lamp	%Fixture
0-30	1841	19.8	35.6
0-40	3024	32.5	58.6
0-60	4961	53.3	96.1
0-90	5164	55.5	100.0
90-180	0	0	0
0-180	5164	55.5	100.0

# PM3 600 x 600 Compact Fluorescent and U-Lamps, Deep Louvers Metric Paramax

## MOUNTING DATA

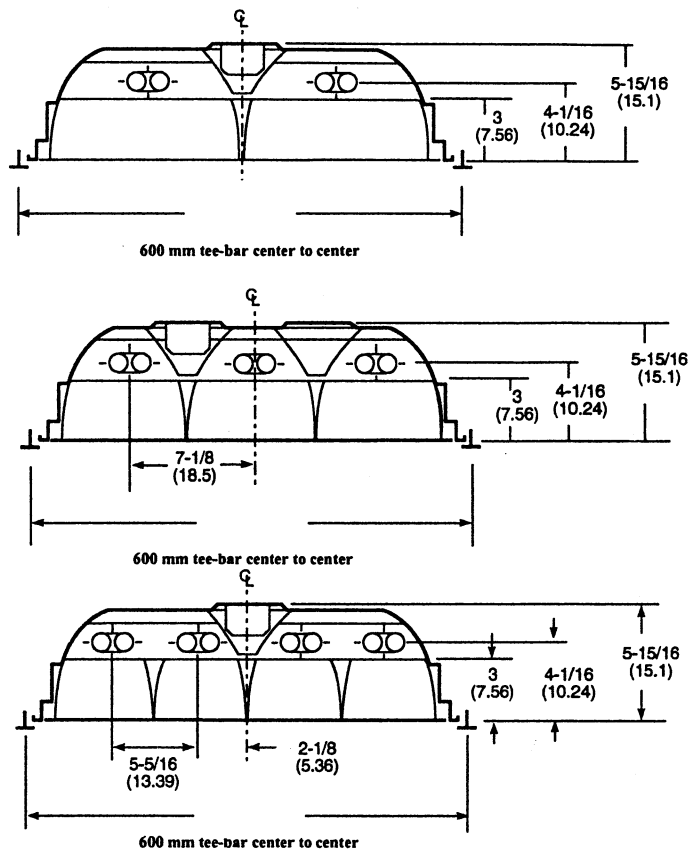
Fixtures not suitable for end-to-end row mounting. Over-all fixture length is 609.6 mm.

Not all air functions available in all ceiling types. Check ordering information.

Ceiling Type	Appropriate Trim Type
Exposed grid tee (25 mm)	MG
Narrow face (14 mm) grid tee	MNFG
Concealed grid tee	MG, MST
Screw slot (14 mm)	MST

## DIMENSIONS

Inches (centimeters). Subject to change without notice.



## ORDERING INFORMATION

Example: 2PM3 MG B 2 CF40 12LD 120 GEB

Series	Air function	Lamp type	Voltage	Options
2PM3 Paramax 3" deep cell parabolic, 2' wide	RA Air Return (side slots) H Heat-removal (through lamp cavity, dampers available) RH Combination R & H B Static (no air function, matching look) A Air supply (for MST or MNFG trim only) D Combination A & H	CF40 40W T5 (24") U31 31W T8 (1 5/8" leg) U403 40W T12 (3" leg spacing)	120, 277, 347 Others available	GEB Electronic ballasts, ≤20% THD. GEB10 Electronic ballast, ≤10% THD. EL Emergency battery pack (nominal 300 lumens. See Life Safety Section). LST Tandem fixture pairs (shared ballasts). PWS1836 6' prewire, 3/8" dia., 18-gauge, 3 wires. GLR Internal fast-blow fuse. GMF Internal slow-blow fuse. LP Lamped, specify lamp type and color. HRD Heat-removal dampers. APB Air-pattern control blades (A and D models only). PAF Painted after fabrication (white enamel). CSA CSA-labeled for US shipment to Canada. NOM NOM-labeled for shipment to Mexico. JP16 Palletized and stretch-wrapped (16 per), G and MT trim only.
Trim type	Number of lamps	Number of cells	Louver finish	
MG Metric Grid MST Metric Screw slot MNFG Metric narrow face grid	2, 3, 4 Not included	6, 9, 12, 16	LD Low iridescent diffuse silver LS Low iridescent specular silver C Diffuse gold (champagne) G Specular gold	

PM3 600x600 CF MG

**LITHONIA LIGHTING**  
COMMERCIAL & INDUSTRIAL FLUORESCENT LIGHTING

© 1995 Lithonia Lighting 5/95  
PM32CF.pm5

P.O. BOX A, CONYERS, GEORGIA 30207, TELEPHONE 404 922-9000, FAX 404 922-1841  
IN CANADA: 1100 50TH AVE., LACHINE, QUEBEC H8T 2V3, DIVISION OF N.S.I. HOLDINGS, INC.