

Catalog Number	
Notes	Type

## FEATURES & SPECIFICATIONS

### INTENDED USE

Recessed lensed luminaires provide general illumination for office, retail and other open area applications.

### ATTRIBUTES

Designed for use with T8 lamps with electronic ballasts.

### CONSTRUCTION

Housing formed with 0.5 mm steel provides superior structural integrity. Torsion spring latches hingeable on either side for easy relamping.

### FINISH

Housing is powder painted white.

### OPTICAL

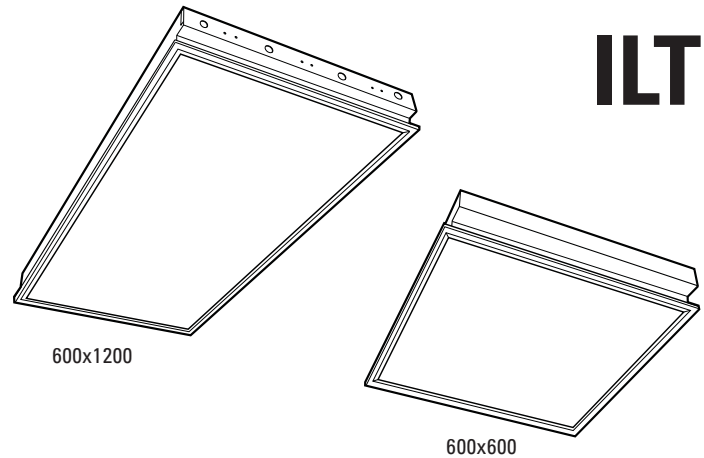
Standard diffuser. Acrylic, pattern 12.

### LISTING

CE Listed HPF electronic ballast.

### International Series Lensed Troffer

# ILT



### Specifications

Nominal dimension:	600x600	600x1200
Length:	597	1197
Width:	597	597
Depth:	90	90

All dimensions are millimeters unless otherwise specified.

## ORDERING INFORMATION

Example: **2ILT MG 3 36 A12 23050HZ 1/3**

Choose the boldface catalog nomenclature that best suits your needs and write it on the appropriate line. Order accessories as separate catalog number.

2ILT		MG		Number of lamps		Lamp type		A12		23050HZ		Options	
Series		Trim type		Number of lamps		Lamp type		Lens type		Voltage		Options	
<b>2ILT</b>	Lensed troffer, 600mm wide	<b>MG</b>	Metric grid	<b>3</b>	<b>4</b>	<b>18</b>	18W T8	<b>A12</b>	<b>A12</b>	<b>23050HZ</b>	<b>23050HZ</b>	<b>1/3</b>	One 3-lamp electronic ballast
						<b>36</b>	36W T8					<b>1/4</b>	One 4-lamp electronic ballast (n/a in 36W)
												<b>ACL</b>	Opal acrylic

### Availability and Dimensions

Nominal size	Number of lamps	Lamp type
600 mm x 600 mm	3, 4	18W
600 mm x 1200 mm	3, 4	36W



An **AcuityBrands** Company

International Series 1

©2010 Acuity Brands Lighting, Inc., 1/10

**Lithonia Lighting**  
Fluorescent

One Lithonia Way, Conyers, GA 30012  
Phone: 800-858-7763, Fax: 770-929-8789  
www.lithonia.com