



FEATURES & SPECIFICATIONS

INTENDED USE

Recessed downlighting for offices, retail and other commercial spaces.

CONSTRUCTION

Gear box and frame made of heavy gauge steel, powder painted. Anodized specular aluminum reflector with 6" or 8" aperture, open or lensed. Tempered frosted glass lens.

ELECTRICAL SYSTEM

CE or UL listed high power factor electronic ballast for compact fluorescent lamps. Terminal block for wiring.

MOUNTING

Steel clips (3) secure to ceiling tile.

INGRESS PROTECTION

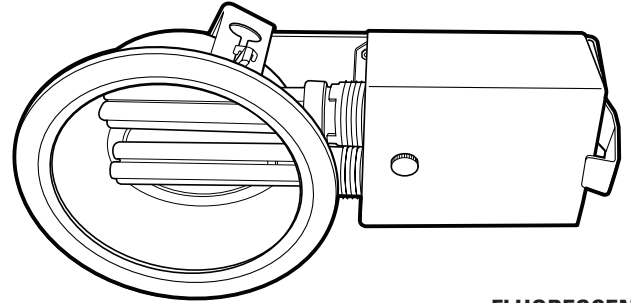
IP20.

IP44 with PREM options.

Catalog Number	
Notes	Type

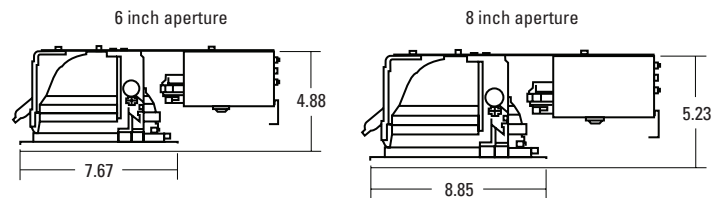
International Series Downlight

ICD



FLUORESCENT

All dimensions are inches unless otherwise specified.



ORDERING INFORMATION:

Choose the boldface catalog nomenclature that best suits your needs and write it on the appropriate line. Order accessories as separate catalog number.

Example: **ICD 2/18DTT R06 120**

ICD						120			
Series	Lamps	Aperture		Lens		Voltage	Options		
ICD	1/18DTT 2/18DTT 1/26DTT 2/26DTT 1/32-42TRT*** 2/32-42TRT***	R06	6-inch	(blank)	no lens	120*	PREM	IP44 valid with "L" option and DTT lamps only	
		R08	8-inch	L	Tempered frosted glass lens	23050hz**			

* 120-277V, 50-60HZ multivolt UL ballast

** 220-240V, 50-60HZ CE ballast

*** 8-inch version only



An AcuityBrands Company

International Series 2

©2007 Acuity Brands Lighting, Inc., Revised 11/08

Lithonia Lighting
Fluorescent

One Lithonia Way, Conyers, GA 30012
Phone: 800-858-7763, Fax: 770-929-8789
www.lithonia.com